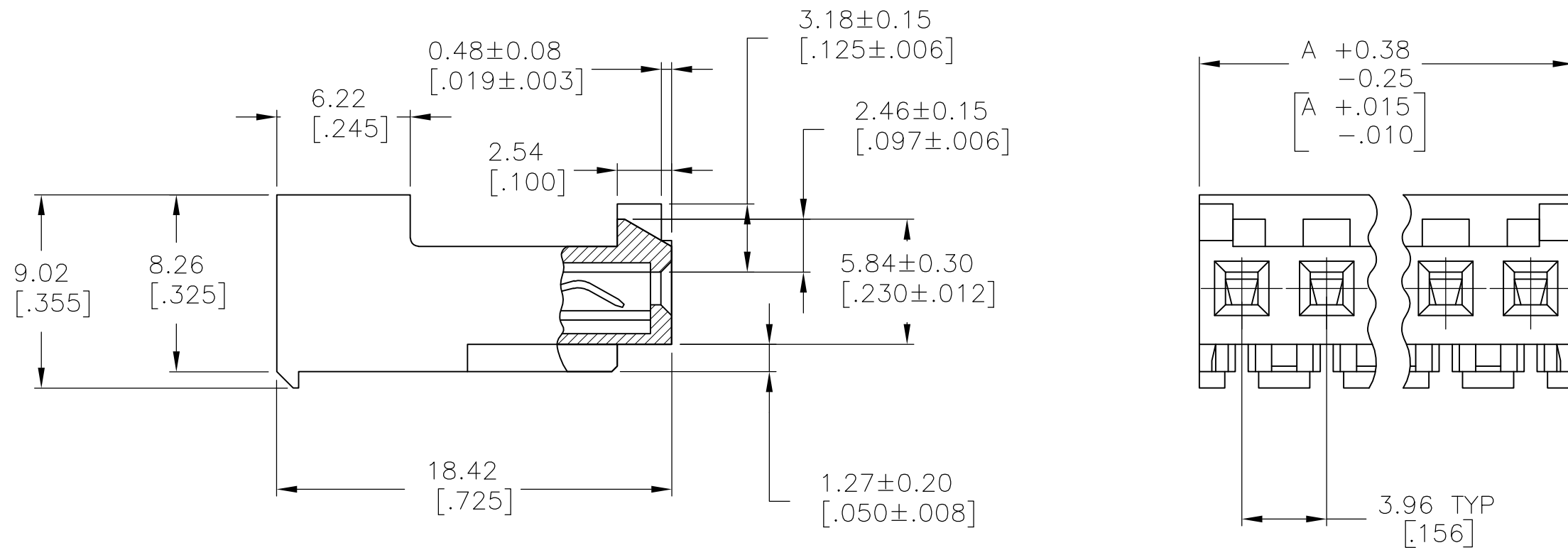
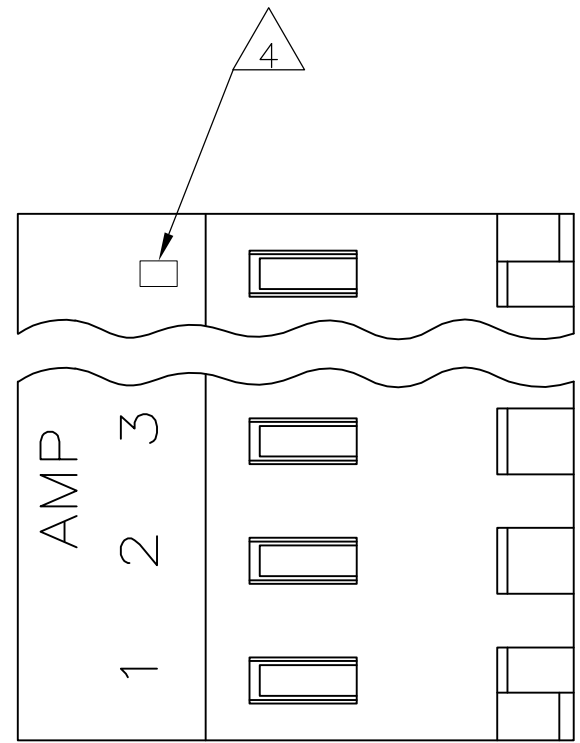


THIS DRAWING IS UNPUBLISHED. RELEASED FOR PUBLICATION
 © COPYRIGHT BY TYCO ELECTRONICS CORPORATION. ALL RIGHTS RESERVED.

LOC	DIST	REVISIONS					
CM	54	P	LTR	DESCRIPTION	DATE	DWN	APVD
		G		ECO-07-012866	13JUN07	KW	DB



1 MATERIAL: CONNECTOR - NYLON UL94V-2 (BLUE)
 CONTACTS - 0.30[.012] THICK COPPER ALLOY (BRIGHT TIN LEAD 0.00203 [.000080] MIN THK FOR CONTACTS 643821-2 THRU 2-643821-4, MATTE WHISKER MITIGATED TIN .00203(.000080) MIN THICKNESS OVER NICKEL UNDERPLATE FOR 3-643821-2 THRU 5-643821-4)

2. CONTACTS ACCEPT 26 AWG WIRE WITH 2.41[.095] MAX INSULATION DIAMETER.

3. CONTACTS MUST ACCEPT 1.14±0.03 [.045±.001] SQUARE POST AND REMAIN LOCKED IN POSITION.

4 IDENTIFICATION NUMBER FOR LAST CIRCUIT MAY NOT APPEAR ON ALL ASSEMBLIES.

5. DIMENSIONS IN BRACKETS ARE IN INCHES.

6. HOUSING FEATURES ARE: CLOSED END WITH LOCKING RAMP & POLARIZING TABS.

95.10	[3.744]	24	5-643821-4
91.14	[3.588]	23	5-643821-3
87.17	[3.432]	22	5-643821-2
83.21	[3.276]	21	5-643821-1
79.25	[3.120]	20	5-643821-0
75.29	[2.964]	19	4-643821-9
71.32	[2.808]	18	4-643821-8
67.36	[2.652]	17	4-643821-7
63.40	[2.496]	16	4-643821-6
59.44	[2.340]	15	4-643821-5
55.47	[2.184]	14	4-643821-4
51.51	[2.028]	13	4-643821-3
47.55	[1.872]	12	4-643821-2
43.59	[1.716]	11	4-643821-1
39.62	[1.560]	10	4-643821-0
35.66	[1.404]	9	3-643821-9
31.70	[1.248]	8	3-643821-8
27.74	[1.092]	7	3-643821-7
23.77	[.936]	6	3-643821-6
19.81	[.780]	5	3-643821-5
15.85	[.624]	4	3-643821-4
11.89	[.468]	3	3-643821-3
7.92	[.312]	2	3-643821-2
95.10	[3.744]	24	2-643821-4
91.14	[3.588]	23	2-643821-3
87.17	[3.432]	22	2-643821-2
83.21	[3.276]	21	2-643821-1
79.25	[3.120]	20	2-643821-0
75.29	[2.964]	19	1-643821-9
71.32	[2.808]	18	1-643821-8
67.36	[2.652]	17	1-643821-7
63.40	[2.496]	16	1-643821-6
59.44	[2.340]	15	1-643821-5
55.47	[2.184]	14	1-643821-4
51.51	[2.028]	13	1-643821-3
47.55	[1.872]	12	1-643821-2
43.59	[1.716]	11	1-643821-1
39.62	[1.560]	10	1-643821-0
35.66	[1.404]	9	643821-9
31.70	[1.248]	8	643821-8
27.74	[1.092]	7	643821-7
23.77	[.936]	6	643821-6
19.81	[.780]	5	643821-5
15.85	[.624]	4	643821-4
11.89	[.468]	3	643821-3
7.92	[.312]	2	643821-2
DIM	A	NO OF CIRCUITS	PART NO

THIS DRAWING IS A CONTROLLED DOCUMENT.

DWN: B.LEWIS 12MAR96
 CHK: R.SWING 12MAR96
 APVD: D.CLARK 12MAR96

Tyco Electronics Corporation
 Harrisburg, Pa 17105-3608

NAME: MTA-156 CONNECTOR ASSEMBLY
 26 AWG, STANDARD

PRODUCT SPEC: 108-1051
 APPLICATION SPEC: 114-1020

SIZE: A2 CAGE CODE: 00779 DRAWING NO: C=643821 RESTRICTED TO: -

WEIGHT: -

CUSTOMER DRAWING SCALE: 4:1 SHEET: 1 OF 1 REV: G

METRIC